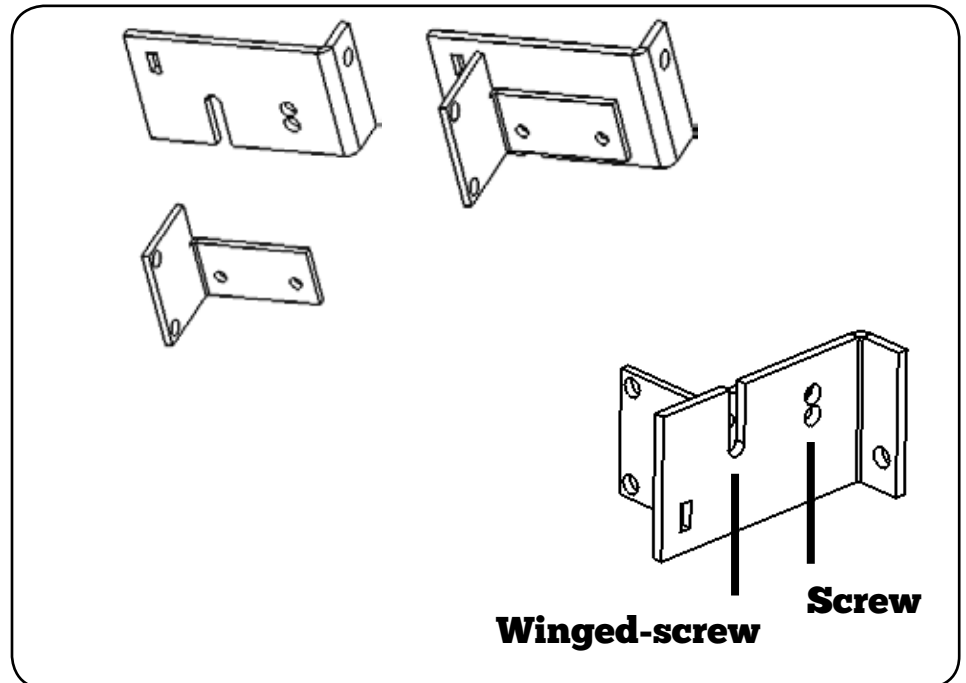




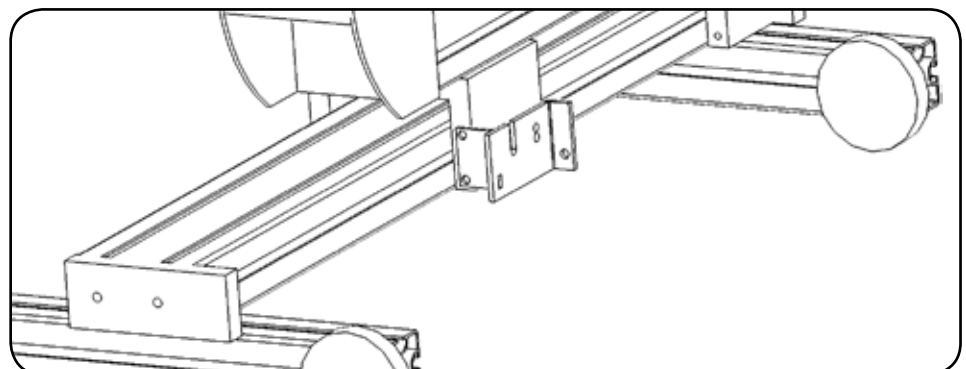
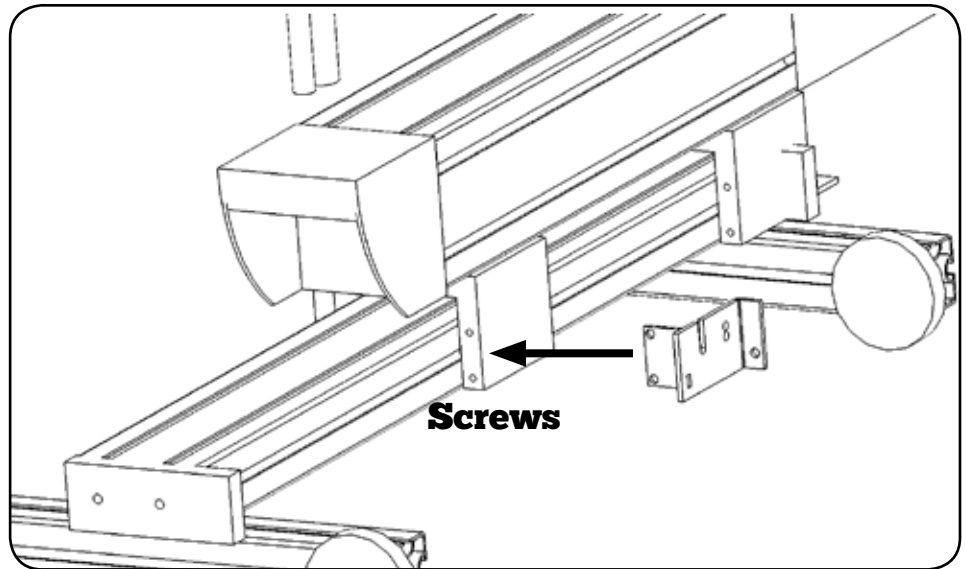
How to Attach Butler Robotics to a Prodigy

Attach the Front Carriage Bracket

- 1 Attach the black belt bracket to the carriage bracket using the provided screws.



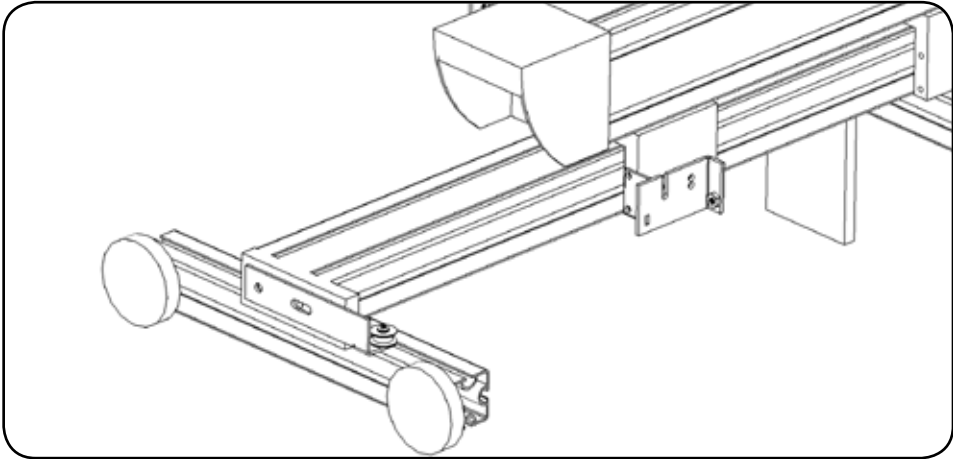
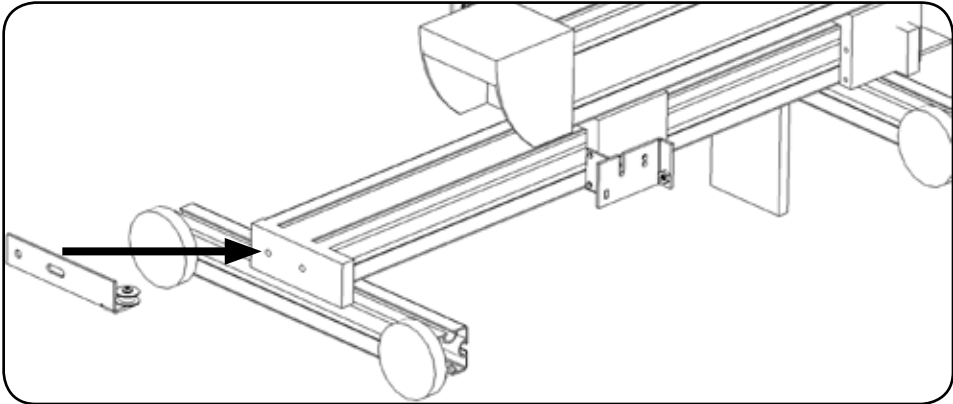
- 1 Attach the carriage bracket to the frame as indicated at right using the provided screws.



Install Front Idle Bracket

1

Install a front idle bracket using the provided screws.

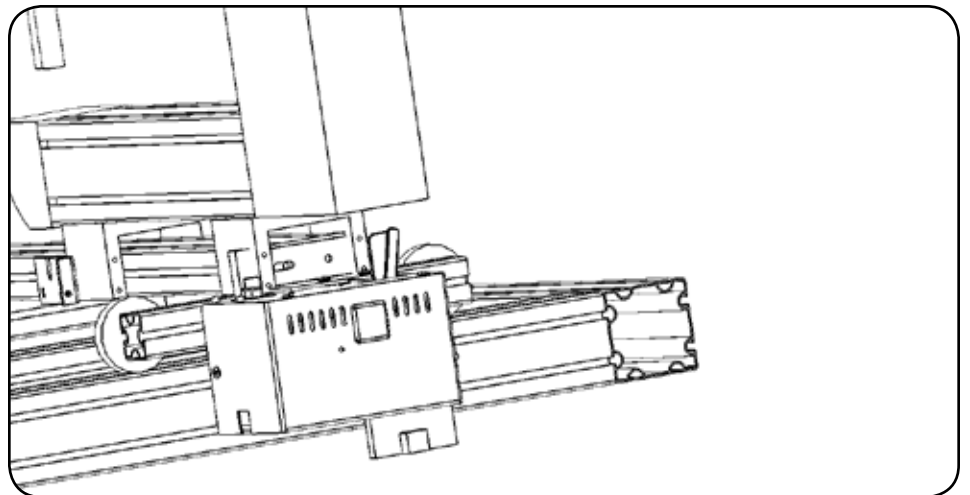
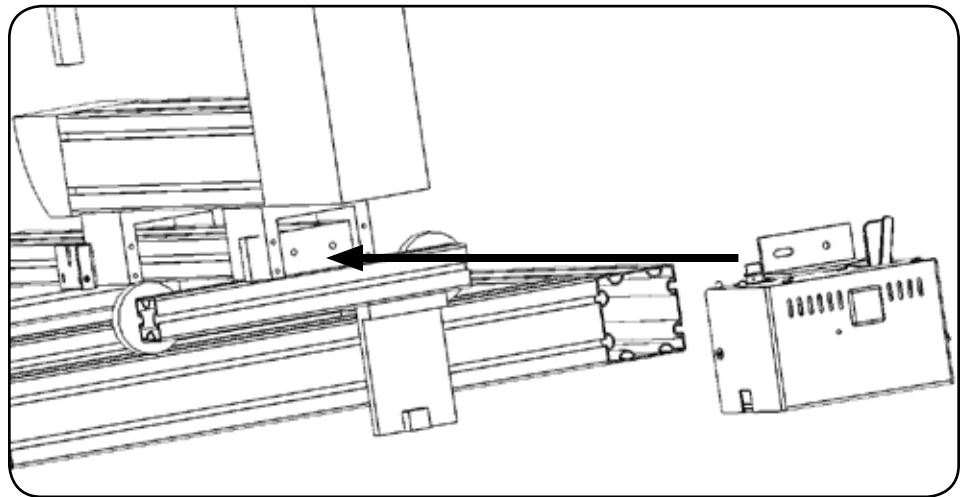
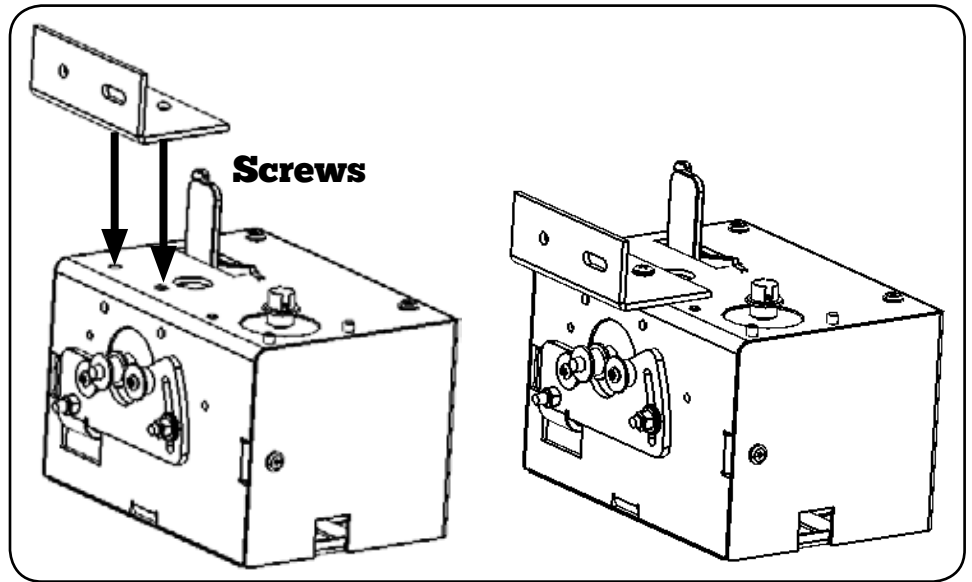


Rear Motor Box Bracket

1

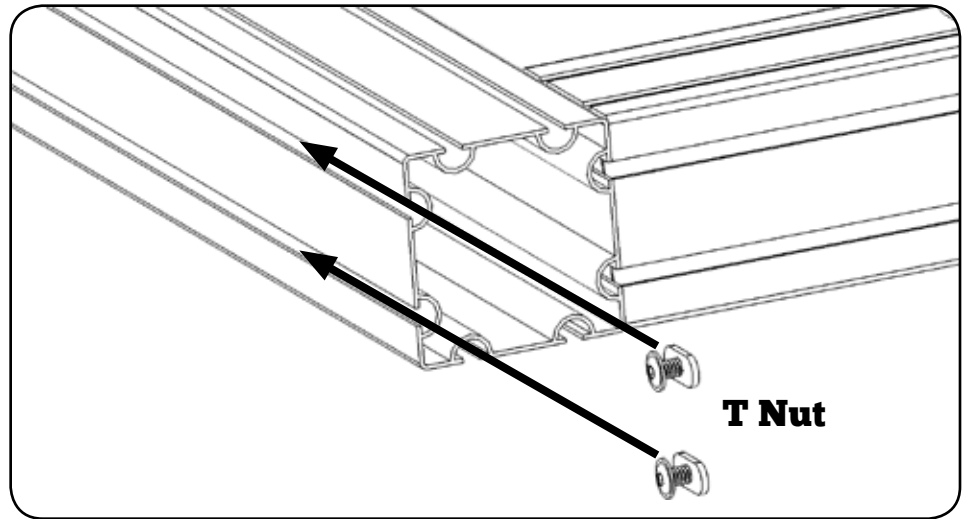
Attach Motor Bracket to top of motor box with provided screws.

Attach motor box to rear of machine with provided screws.

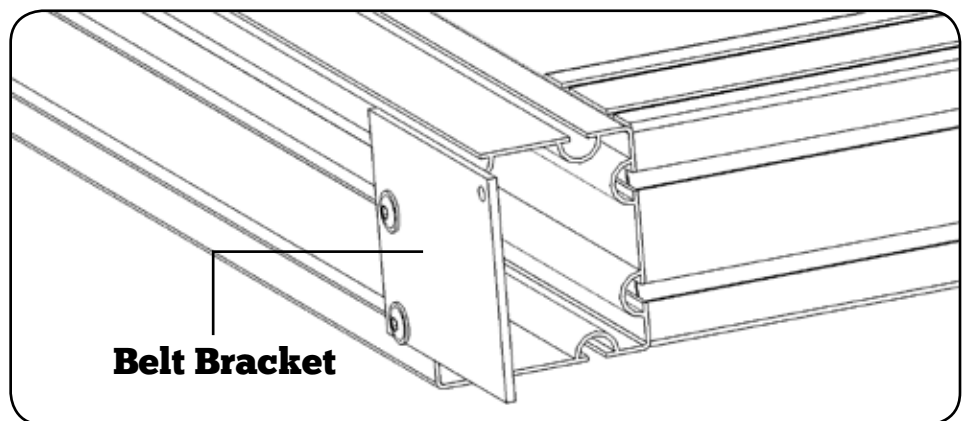


Install White Belt

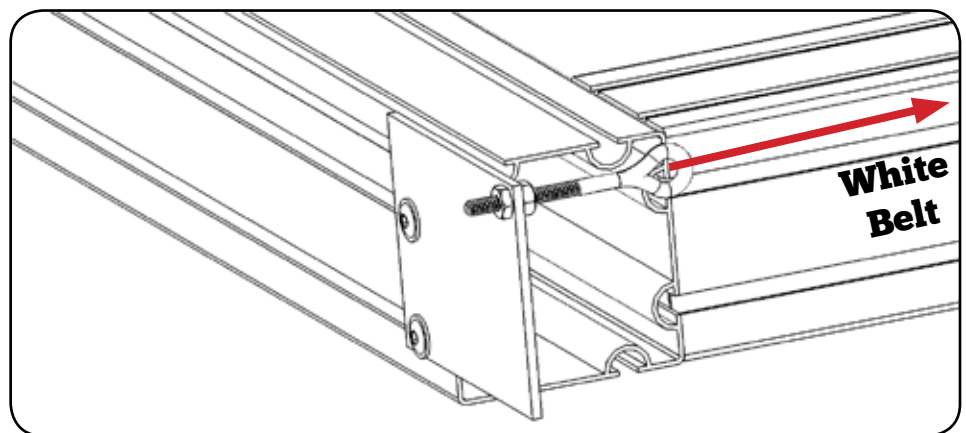
- 1** Slide each pair of T Nuts into the grooves at the back corners of the frame.



- 2** Attach Belt Bracket to T-nuts and tighten securely using provided screws.



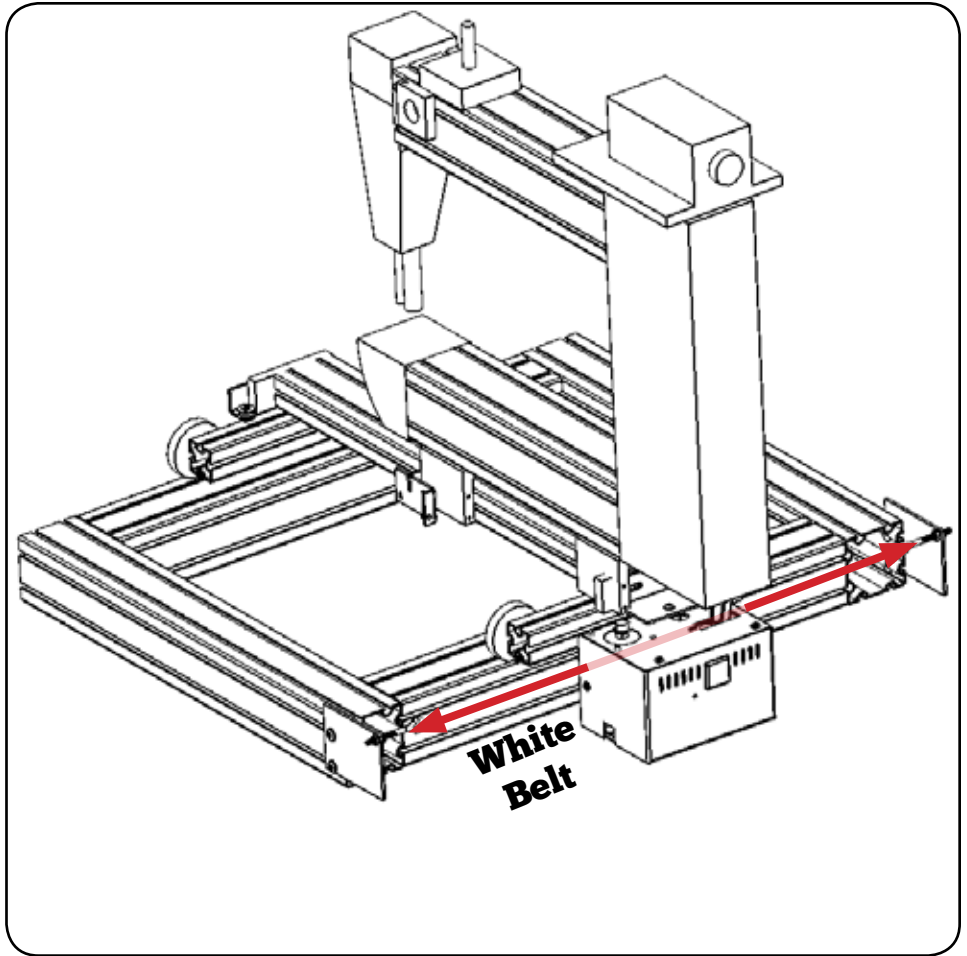
- 3** Use belt clamps to attach end of white belt to an eye bolt. Install the eye bolt into the Belt Bracket and secure with nut.



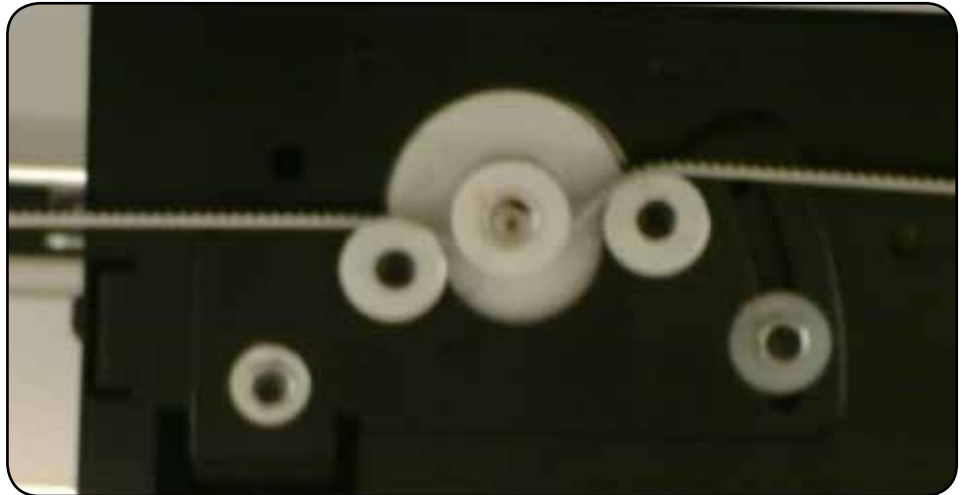
For more on how to use belt clamps, see Appendix A on pg 11.

4

Follow steps 1-3 to secure remaining end of white belt to the other side of the frame.



Make sure that the teeth side of the belt are facing the motor box pulley.



Install Black Belt

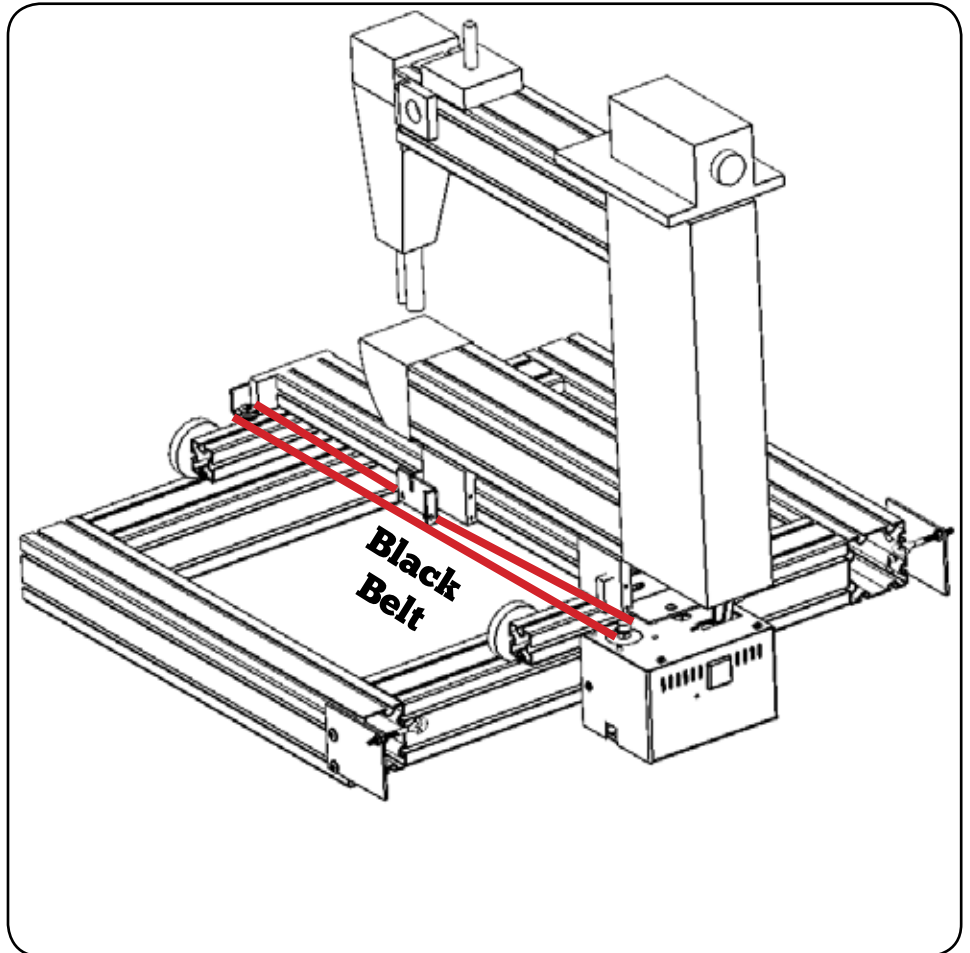
1

Using the belt clamps, attach one end of the black belt to the carriage bracket.

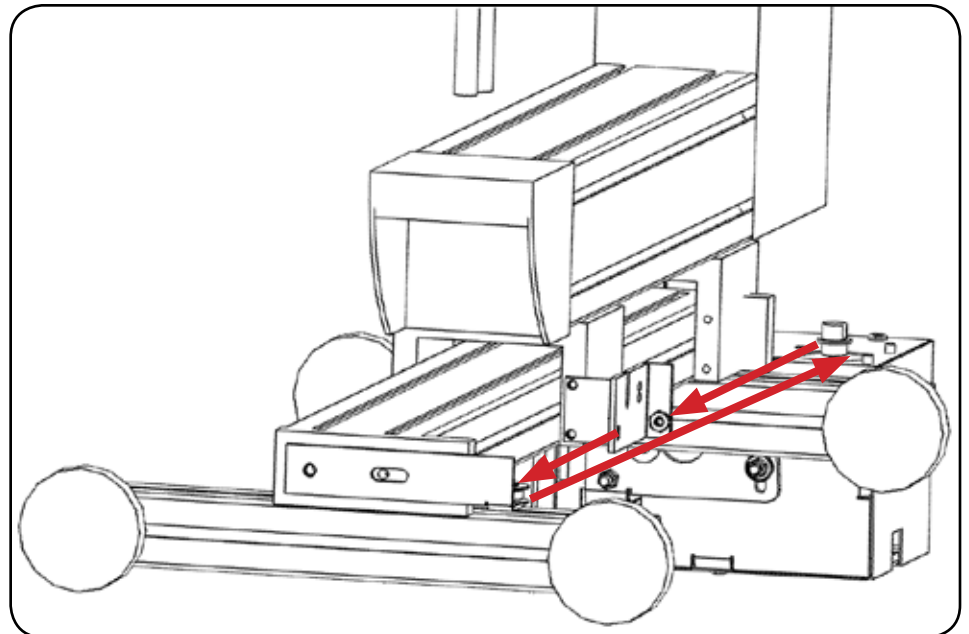
Wrap the toothed side of the black belt (highlighted at right) around both the Idle and Motor Box pulleys, then use belt clamps to attach the remaining end of the belt to the carriage bracket.

Ensure that the black belt travels **behind** the carriage bracket (shown at right).

(Bag # 35)



For more on how to use belt clamps, see Appendix A on pg 11.



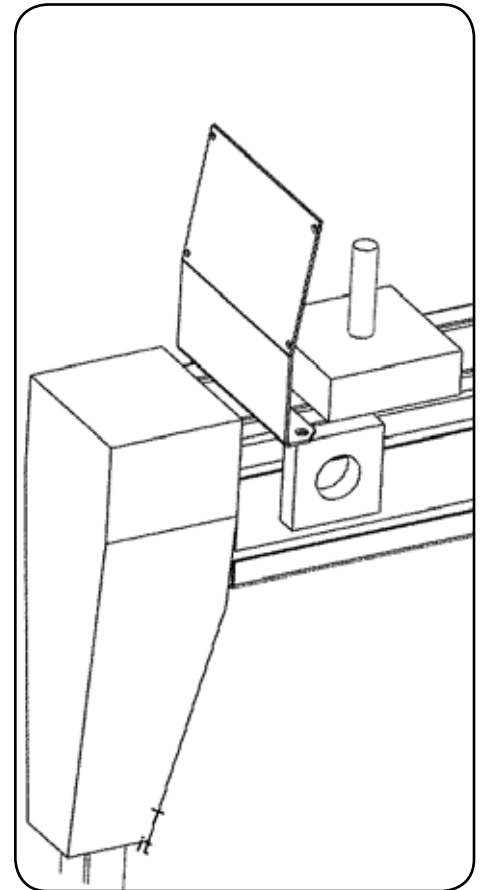
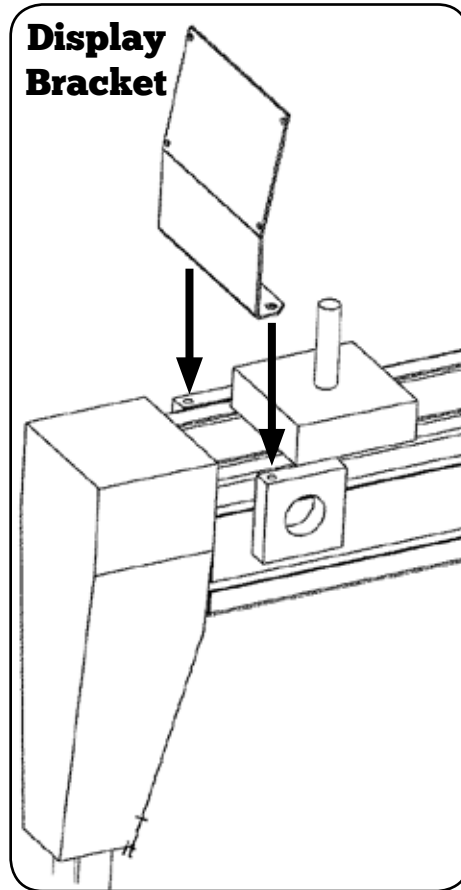
Install Display

1

Insert SD card into display.

Install display bracket onto the machine using the provided screws.

Attach display to display bracket with provided screws.



2

Plug one end of the display cable the black motor box remote port.

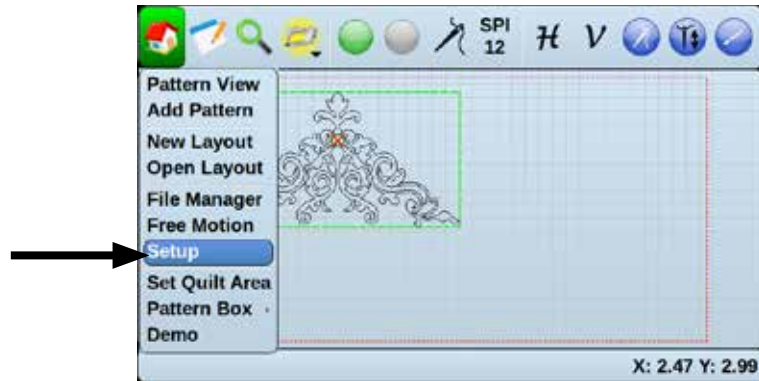
Plug the remaining end into display port found on the bottom edge of the display.



Set Machine Type

1

Power on the display, go to Setup > Advanced



Power on the display, go to Setup > Advanced and set the machine type to Default.



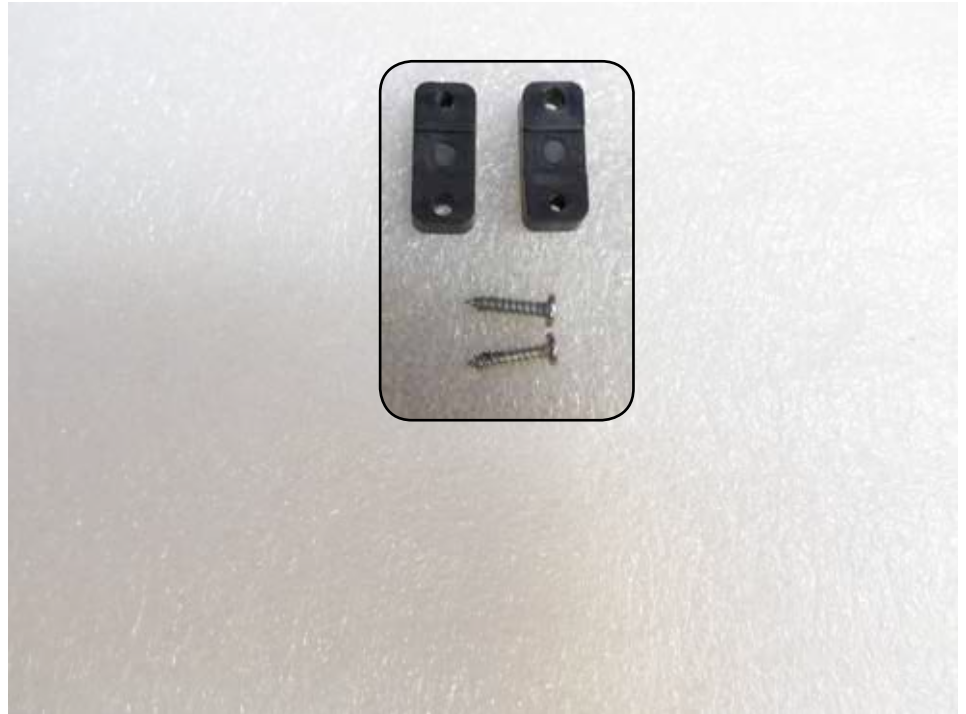
Check Belt Tension

1 A correctly tensioned belt won't be as tight as a piano string but not sagging either. Aim for a taught belt.

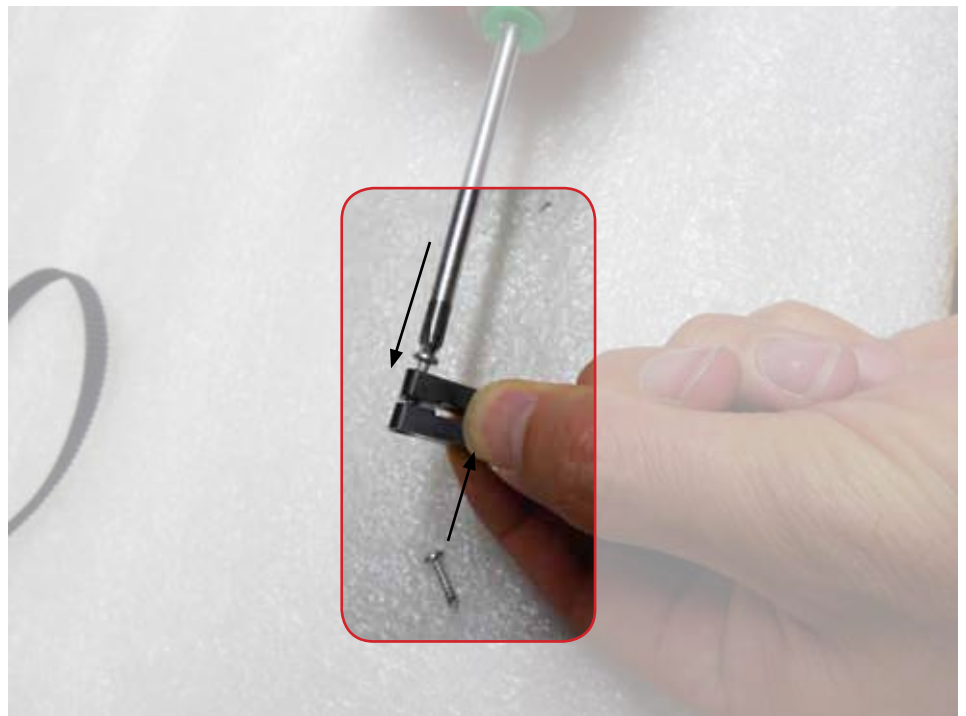
Adjust belts as necessary.

Appendix A - How to use Belt Clamps

A belt clamp consists of two clamps and two screws.

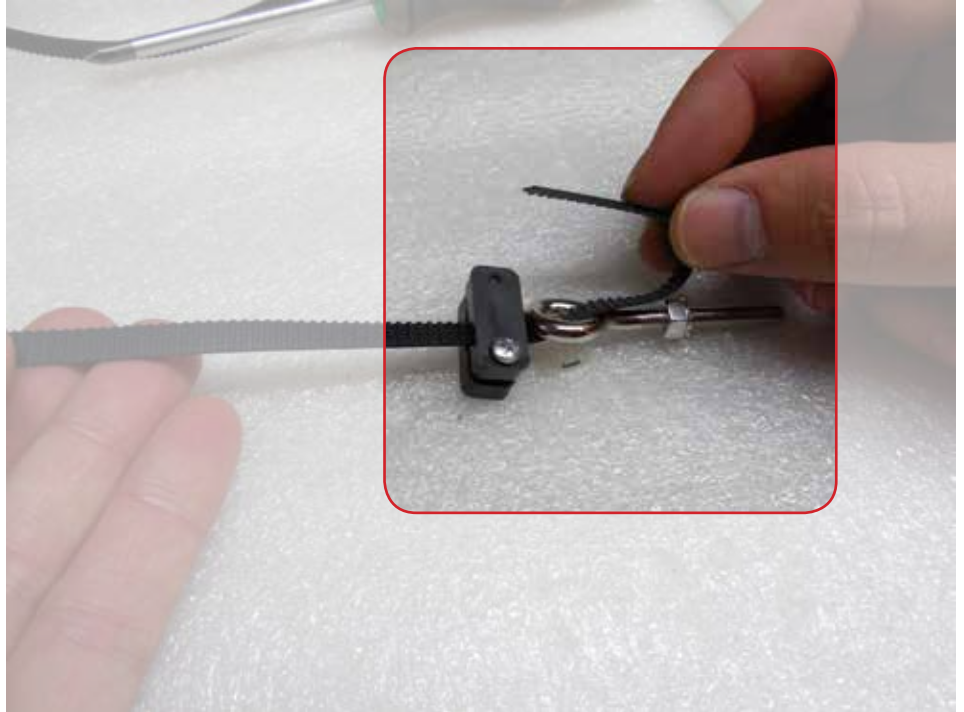


- 1** Using a Phillips screwdriver, insert each screw on opposite sides of the clamps and tighten halfway.



2

Thread the belt between the clamps, loop it around and reinsert it between the clamps.



3

Align the belt teeth, then finish tightening the clamps.





Still need help?

Visit quilt-ez.com to learn how to contact us and find additional help material.